

Article no.: 730470

Built in ground lamp, Alzirr II, silver, 24V DC, 2,40 W, warmwhite

Technical Data
General Characteristics

Material	stainless steel
Colour	silver
Optics	
included in delivery	installation housing 1,0 m connection cable


Electrical Characteristics

Power / power consumption	2,40 W / 2,40 W
Input voltage	24V DC
Input current	
Base (standard designation)	
Number of bases	
Power supply unit	excl. LED-power supply unit
Connection possibility	Weipu Male
Protection class I, II, III	III

Light Technical Data

Bulb	LED-module fixed
Colour Designation	warmwhite
Colour temperature	3000 K
Luminous flux	150 lm
Beam angle	30°
LED type	High Power
LED quantity	1
Spectral power distribution	581 nm



Article no.: 730470

Built in ground lamp, Alzirr II, silver, 24V DC, 2,40 W, warmwhite

Light Direction

Rotating and tilting range	fixed
Angle of inclination	
Radiation direction	
Reflector / lense	symmetrisch

Dimensions & Weight

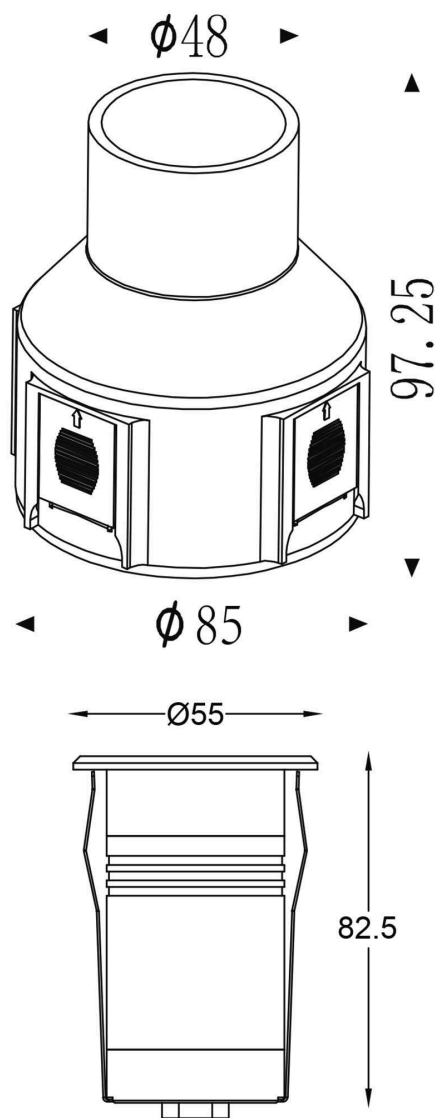
Length	0,00
Width	0,00
Height	82,50
Diameter	55,00
Mounting Depth	97,25
Product Weight	578 g

Cut-out dimensions

Length	0,00
Width	0,00
Diameter	48,00

Mounting Bowl

Material	pvc
Length	0,00
Width	0,00
Height	97,25
Diameter	48,00



Article no.: 730470

Built in ground lamp, Alzirr II, silver, 24V DC, 2,40 W, warmwhite

Absolute maximum ratings

The LED will get damaged and the lifetime will decrease when you overrun absolute maximum ratings.

Working temperature	-20°C - +40°C
Storage temperature	-10°C - +60°C
foreseen application	drivable - 20 kN
IP - Code	IP67

General product data

Environmental Characteristics

Energy label	
Energy consumption	3 kWh/1000h

Lifespan

Lamp life time	25000 h
Luminous flux (end of lifetime)	0,70
Number of switching cycles	15000



Maximum surface temperature 65°C

IP67

Protection against penetration of dust. (complete dust protection) Protection against temporary immersion.



Lightings of Protection Class III
Luminaire in which protection against electric shock relies on supply at safety extra-low voltage (SELV) and in which voltages higher than those of SELV are not generated.



Because of the complex manufacturing process of the LED the above shown data are just a statistical size, which is not forced to be the realistic data of every LED.



The light source of this luminaire may only be replaced by the manufacturer or by a service technician appointed by him or by a comparable qualified person